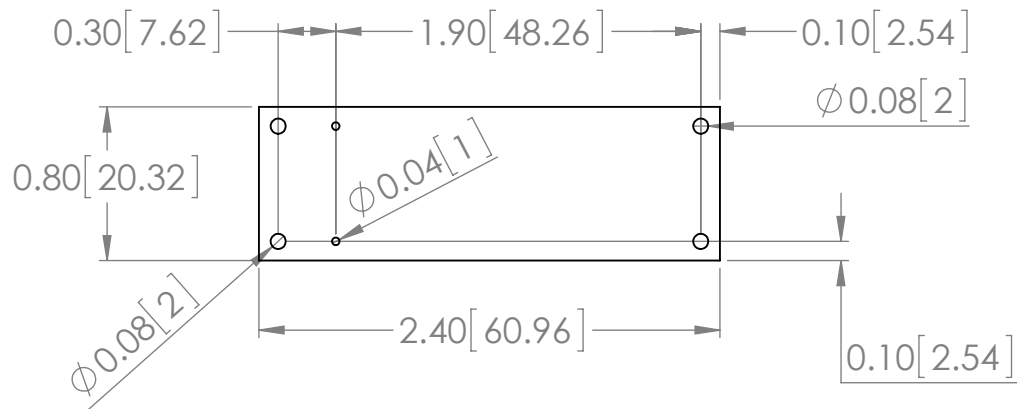
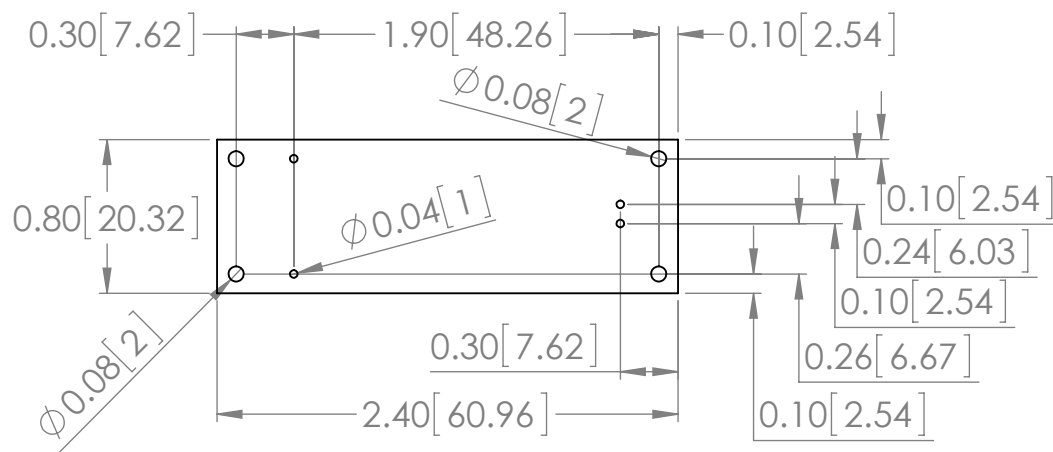


Top view:



Bottom view:



1 in. = [25.4mm]

NOTES:

Dimension:

Dimensions are given in inches, as well as [millimeters] in an inch[millimeter] format.

Hole Dimension:

The bigger holes have a 0.079[2.00] diameter for the M2 screws to fit in while the smaller holes have a 0.039[1.00] diameter these are for the pins. The pins stabilize the panel before screwing it on a surface.

Printing:

If you would like to keep the 1:1 scale after printing you should disable any 'fit to page' or 'page scaling' options. If you use Adobe Acrobat Reader, please select 'Page Scaling: none' in the Print dialog box.

TITLE:	<h1>Ozeki Servo Module</h1>	
SCALE:	1:1	VERSION: v1.0.0
SIZE:	A4	SHEET 1 OF 1